

9TH LED Tri-proof Light

Easy assembly/ Convenient to Replace PCB & Driver/Suitable for SKD Import
Environment Friendly



■ Matters needing attention

- Before installing the lighting fixtures, please read this instruction manual carefully.
- The lighting fixtures should be installed, connected and tested by a certified installer based on the local regulations.
- Lamps should always be installed or replaced with care.
- Please check the local voltage in accordance with the product requirements before using the product.
- Relamping only can be done when the power is off, and the lamp is completely cooled down.
- When a lamp is to be cleaned, turn the power off and let it cool down completely. Clean the fixture with a soft cloth and a standard PH neutral detergent. Stainless steel finishing should be maintained regularly.
- Misuse of, or changes to the fixture, shall nullify the guarantee.
- Don't cover the fixtures with flammable materials.
- Exclusively replaced by the manufacturer or his service agent or the similar qualified person in order to avoid a hazard.

Temperature Characteristics

T-ambient 25 C

Temperature Operating -20~+40 °C

Storage -40~+85 °C

Electrical Characteristics

Input Voltage: AC180~277V 50/60Hz

PF:≥0.9 Color selection: 4000K-5000k-6000K

Power Efficiency:≥0.9

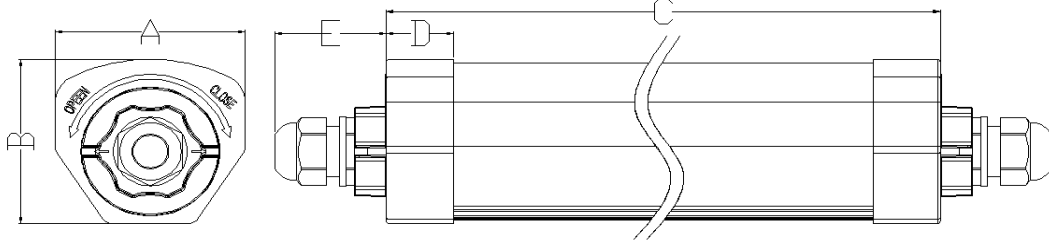
■ Parameter

Item	Power select (W)	Light Source	LED QTY (pcs)	Lm/W	CRI	Beam Angle
WS-LI12H36W-9PR	40/35/30/24w	2835	266	120lmw	>90	180
WS-LI15H50W-9PR	52/44/37/30w	2835	378			

Product features

1. Elegant appearance and patent design(only WINSTAR have).
Obtained practical patents certificate.
2. Different color temp PCB can be sold individually.
When customer has different requirements on CCT, it is easy to replace the PCB board.
Lower your inventory investment.
3. When the product reach the end of lifespan, replace with new PCB board and driver.
Continue using the plastic housing, in order to reduce pollution to the environment.
4. High heat conduction 6063 aviation aluminum is used.
With good heat dissipation, and the light decay is smaller.
5. Imported fireproof PC material is safer and more reliable.
6. Suspended installation, Surface Ceiling installation, hoisting, wire rope hanging, etc.
Linkable and Non-Linkable can be provided.
7. IK08, IP66. Compliance with safety regulations.

■ Product Dimension

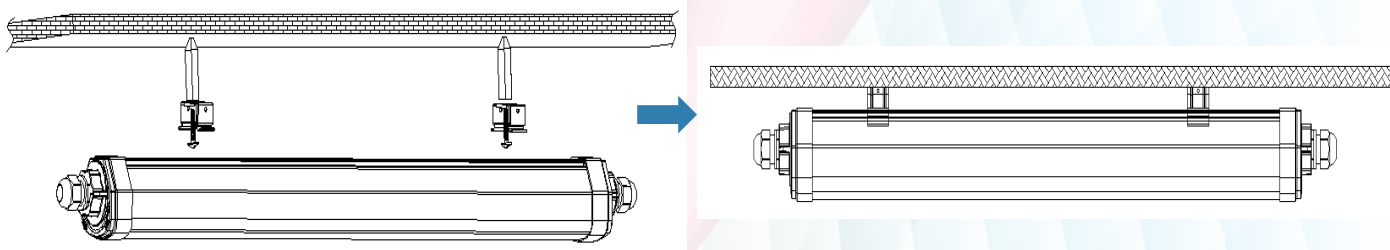


Item	A(mm)	B(mm)	C(mm)	D(mm)	E(mm)	Tolerance
WS-LI12H36W-9PR	67	65	1200	25	46	±3
WS-LI15H50W-9PR	67	65	1500	25	46	±3

■ Packaging

Item	N.W/g	Inner box Size(mm)	Carton Size(mm)	Qty/CTN	G.W/CTN
WS-LI12H36W-9PR	1150	1300*70*70	1320*300*230mm	12piece/Carton	17kg
WS-LI15H50W-9PR	1460	1600*70*70	1620*300*230mm	12piece/Carton	18kg

■ Installation

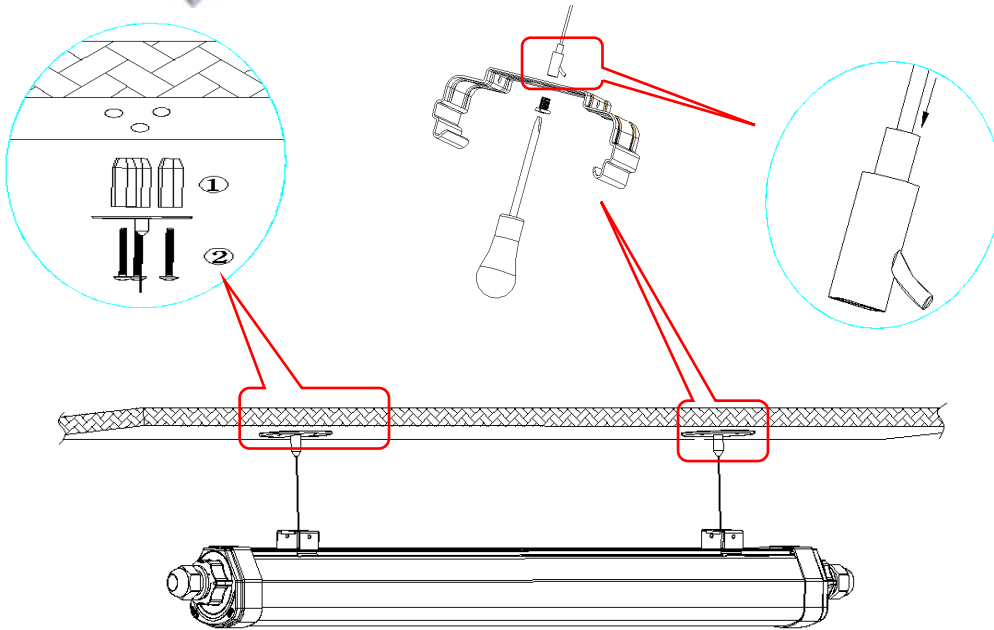


Installation steps:

1. Drill $\varnothing 4\text{mm}$ holes on the surface
2. Put the expansion tube into the drilled hole
3. Using screws to lock the hook into the expansion tube
4. Align the lamp with the hook and lock it

Tips:

When disassembly, you can insert a screwdriver into the groove of the buckle, and then pry it out.



Installation steps :

1. According to the three holes of the sling fixing, drill $\varnothing 4\text{mm}$ holes on the surface, then put the expansion tube into the drilled hole, lastly use screws to lock the sling fixings
2. According to the last picture, use a screwdriver to lock the hook into the end of the sling

Remark

1. When unscrewing the rotating plug to replace the PCB and power supply, it needs to be replaced from the rotating head at the end of the lamp label
2. Conventional products have a built-in 0.75mm^2 line, the number of docking
 20W 33PCS 36W 18PCS 50W 13PCS