

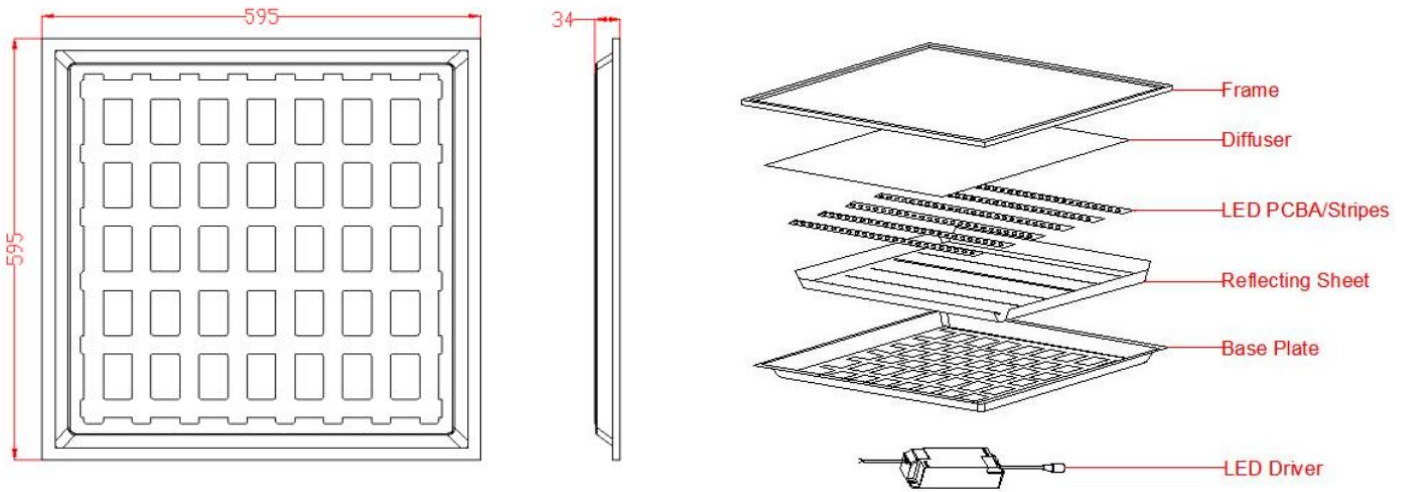
3CCT Switchable LED Backlit Panel



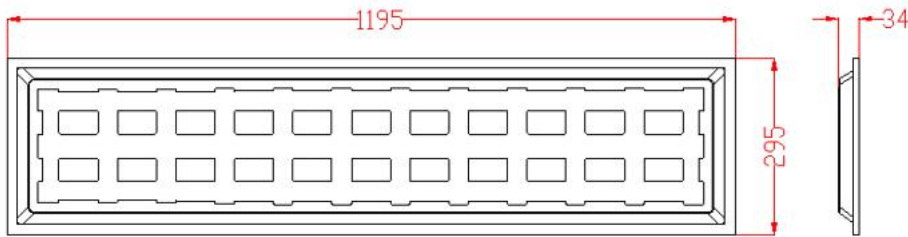
Technical parameters

Model	SL-PBE606025-X-T	SL-PBE301225-X-T
Size	595*595*34mm	295*1195*34mm
PF	>0.9	
Efficacy (lm/W)	135	
Power (W)	25	
LumenOutput ±5%	3375lm	
UGR	< 19 or <22	
CRI	>80	
Input Voltage(V)	220-240VAC	
3 Color temperature(K)	3000-3500K, 4000-4500K, 5000-5500K	
Certification	TUV CE RoHS ERP	
Protection level	IP40	
Operating Temperature	-10°C to 45°C	
LED Chip	2835	
Driver	Flicker free	

Product Dimensions



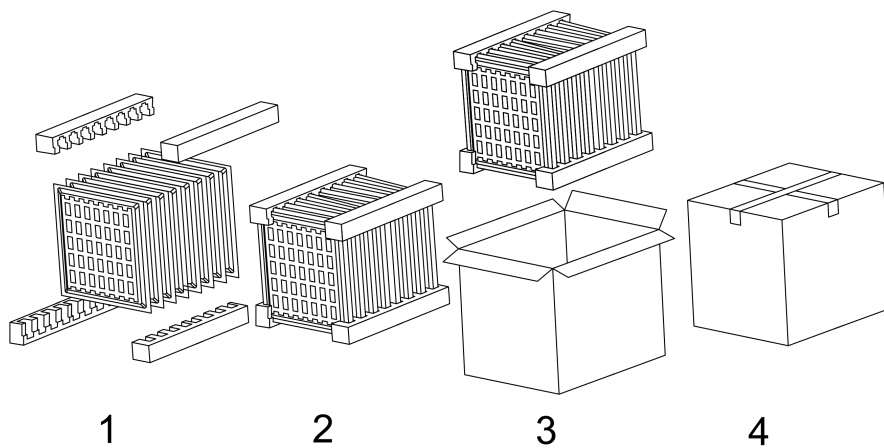
SL-PBE606025-X-T



SL-PBE301225-X-T

Packaging diagram

industrial packaging					
Model	Carton Box(CM)		Net weight(KG)/PCS	G.W/1PCS±0.5KG	PCS/Carton
SL-PBE301225-X-T	Outer Cartons	L1250*W350*H365	1.75	14.2	8
SL-PBE606025-X-T	Outer Cartons	L650*W350*H665	1.6	13	8



Installation method



Embedded I

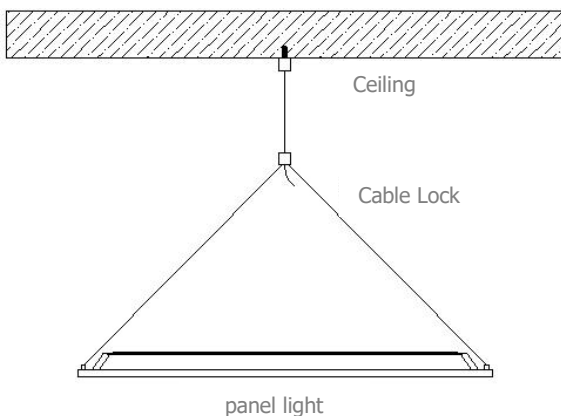
The installation environment requires that the ceiling has a standard size ceiling or keel, and only the ceiling at the corresponding position needs to be removed for installation. Then replace the corresponding panel lights. No additional installation accessories are required.

Embedded II

The installation environment requires that the circlip is embedded, and a hole is made on the ceiling. The size of the hole is smaller than the size of the panel light, and then the light is absorbed on the ceiling by the elastic force of the spring.



Ceiling mounted



Installation environment requirements, the height of the storey is high, the ceiling is keel or solid wall structure, and the lamp is suspended in the room by the suspender (as shown in the above picture)

Ceiling type



1. Determine the location of the lamp to be installed, directly screw on the screw, and fix the aluminum adapter frame on the cement roof.
2. Connect the wires internally and make sure the power is on
3. Place the lamp body in the aluminum frame
4. The whole lamp is installed, the overall appearance is elegant, the whole thickness is about 4cm