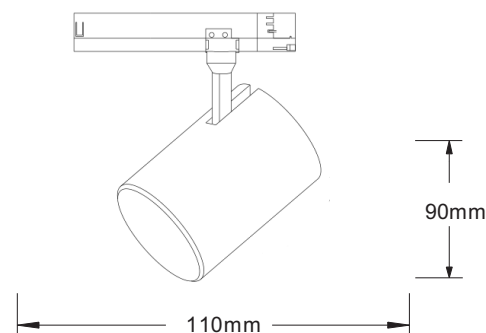


LED Tracklight: XS-25W

Technical Parameter

Normal wattage	25W
LED Chip	CITIZEN/CREE
Type of LED	COB
Input Voltage	220-240V 50/60Hz
Color temperature	3500K
Luminous flux	>130lm/w
Color rendering index	Ra>85/90
Beam angle	15° 24° 38° 45° 60°
Product color	White face/Black face
UGR	<19
Adatper type	2wires/3wires/4wires/6wires
Lamps diamater	Dia 90mm*H110mm
Type of protection	Ip20
Operation temperature	-20℃-50℃
Certificate	CE/RoHS/SAA/CB
Life Span	>50,000Hrs
Driver Brand	Philips/Powergare
Dimming	No Dim/Triac Dim/0-10V Dim/DALI Dim
PF	0.95
Material	Aluminum
SDCM	<3
IK Grade	Ik08



Product features

- High brightness, Low SDCM < 3, low light decline
- High efficacy, high illuminance, accurate beam angle makes comfortable illumination atmosphere
- Refined components and design, guarantee a long life span of over 50,000 hours
- Exterior driver non dimmable (220-240v input) and 1-10v Dimmable (100-240v input)
- Easy installation, for wide applications

Installation

1. Please install the related track rail before install the light
2. Aim the track head to the track rail then push up, make sure the track head are total match into the track rail
3. After install the track head into the track rail, rotate the connector spindle 90°

Packing Details

